





Accessories for 3KC0 SZ 1 direct operating mechanism DIN43880 gray without cover for 3KC0 SZ1 3 and 4-pole contains 1 unit



Model		
product brand name	SENTRON	
product designation	Accessories for transfer switching equipment	
design of the product	Direct operating mechanism DIN43880	
type of the driving mechanism	MANUAL OPERATING MECHANISM	
protection class IP on the front	IP30	
Suitability		
suitability for use	For 3KC MTSE, size 1	
Appearance		
color of the actuating element	gray	
display version for switch position indicator	I-O-II	
Mechanical Design		
height	20.5 mm	
width	57 mm	
depth	25 mm	
Approvals Certificates		
General Product Approval	Declaration of Conformity	Test Certificates
<a href="#">Confirmation</a>	<a href="#">Miscellaneous</a>	<a href="#">Type Test Certificates/Test Report</a>
		
		
Marine / Shipping	other	
	<a href="#">Miscellaneous</a>	<a href="#">Confirmation</a>

### Further information

Siemens has decided to exit the Russian market (see here).  
<https://press.siemens.com/global/en/pressrelease/siemens-wind-down-russian-business>

Siemens is working on the renewal of the current EAC certificates.  
 Please contact your local Siemens office on the status of validity of the EAC certification if you intend to import or offer to supply these products to an EAC relevant market (other than the sanctioned EAEU member states Russia or Belarus).

Information on the packaging  
<https://support.industry.siemens.com/cs/ww/en/view/109813875>

Information- and Downloadcenter (Catalogs, Brochures,...)  
<http://www.siemens.com/lowvoltage/catalogs>

Industry Mall (Online ordering system)  
<https://mall.industry.siemens.com/mall/en/en/Catalog/product?mifb=3KC9101-4>

Service&Support (Manuals, Certificates, Characteristics, FAQs,...)

<https://support.industry.siemens.com/cs/ww/en/ps/3KC9101-4>

Image database (product images, 2D dimension drawings, 3D models, device circuit diagrams, ...)

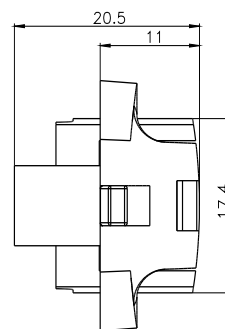
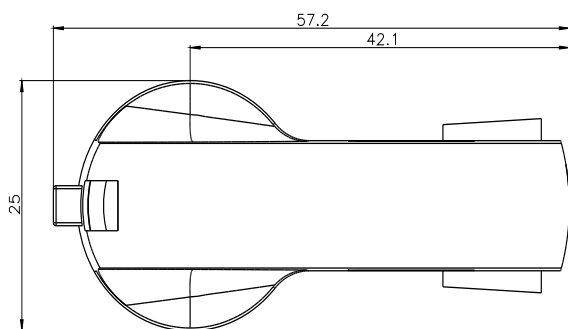
[http://www.automation.siemens.com/bilddb/cax\\_en.aspx?mlfb=3KC9101-4](http://www.automation.siemens.com/bilddb/cax_en.aspx?mlfb=3KC9101-4)

CAx-Online-Generator

<http://www.siemens.com/cax>

Tender specifications

<http://www.siemens.com/specifications>



---

last modified:

7/23/2021 

